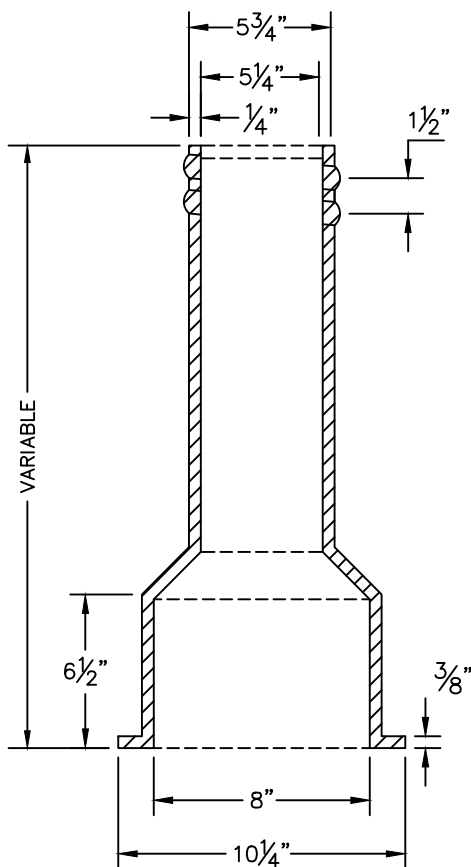
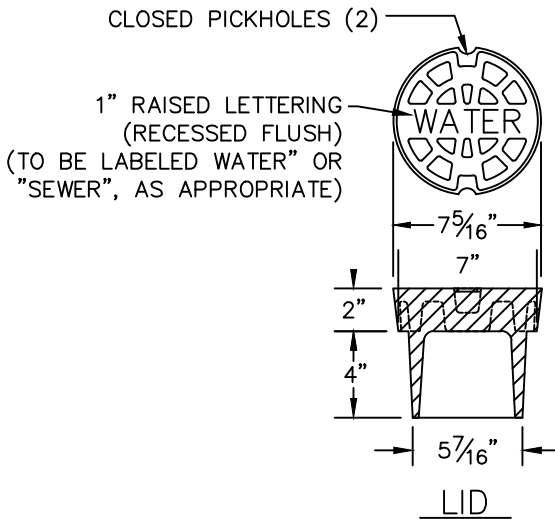


TOP SECTION



BOTTOM SECTION

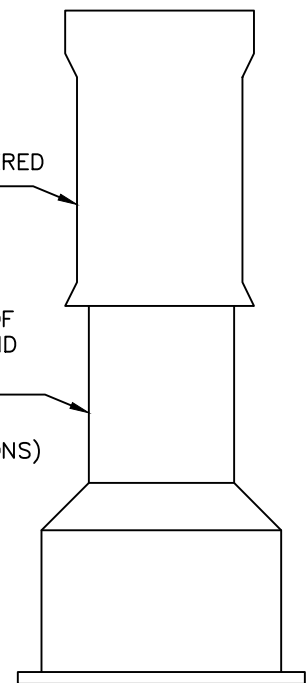


LID

BOX SHALL BE CENTERED OVER VALVE

ALL PARTS SHALL BE OF THE SAME MATERIAL AND SUPPLIED BY THE SAME MANUFACTURER

(NO PVC PIPE EXTENSIONS)



COMPLETE BOX

NOTES:

1. VALVE BOX WILL CONFORM TO ASTM A48, CLASS 35 B.
2. MINIMUM WEIGHTS:
 COVER.....13 LBS
 TOP SECTION.....60 LBS
 BOTTOM SECTION...49 LBS
 TOTAL...122 LBS
3. COVERS LOCATED IN CONCRETE OR PAVEMENT SHALL HAVE SKIRTS MIN. 4" DEEP AND COVERS SHALL WEIGH MIN. OF 24 LBS.



TOWN OF MOORESVILLE

STANDARD DETAIL

WATER SYSTEMS
 CAST IRON
 VALVE BOX

June 2018
 Revision 2

NTS

W - 14.0